



ETC DJ_-24/630 Deadbreak Junction

For 630A, Up to 24kV



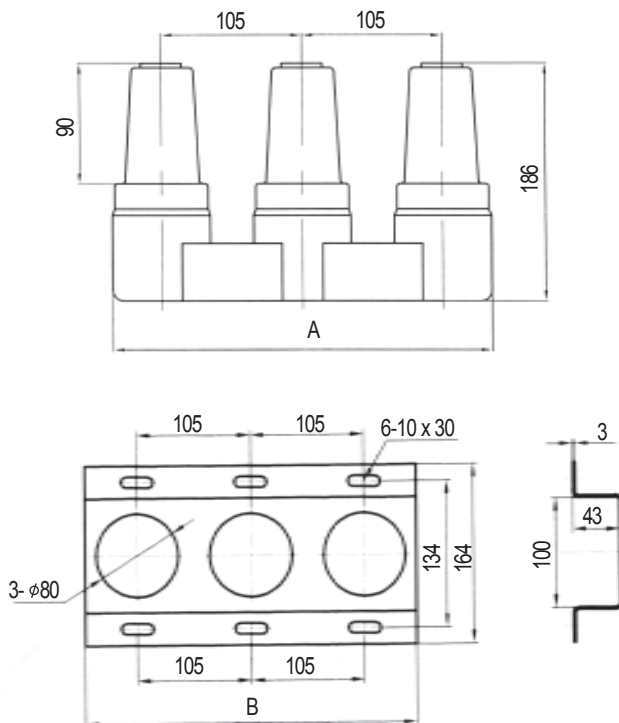
ETC DJ_-24/630
Deadbreak Junction

General:

The ETC DJ_-24/630 Deadbreak Junction provides two, three or four 630Amp deadbreak interfaces based together and encapsulated in a precision molded peroxide cured EPDM insulated rubber body with a semiconductive outer shield. Deadbreak Junctions are used in pad-mounted apparatus underground vault and other installations to establish loops, taps and splices, and facilitate apparatus change-outs. Sectionalizing a cable run to find and isolate a cable fault is made easy when a deadbreak junction is used with deadbreak connectors meeting the requirements of DIN Standard 47636 - "Separable Insulated Connector Systems".

When mated with a comparably rated product, the junction provides a fully shielded, submersible threaded connection for deadbreak operation.

DIMENSIONS(mm)



Branch	2	3	4
A	178	283	388
B	201	306	411

Mounting Bracket

Electrical Characteristics:

Voltage Ratings and Characteristics	
Description	kV
Standard Voltage Class	24
Maximum Rating Phase-to-phase	24
AC 50 Hz 1 Minute Withstand	54
DC 15 Minute Withstand	48
BIL and Full Wave Crest	125
20kV Partial Discharge	≤ 10pc
Current Ratings and Characteristics	
Description	Amperes
Continuous	630
24 hour overload	1000
Short Time	50,000 A rms symmetrical for 0.3s 20,000 A rms symmetrical for 4.0 s
Electrical characteristics are in accordance with or exceed DIN 47636 and IEC 60502.4-1997s standards.	

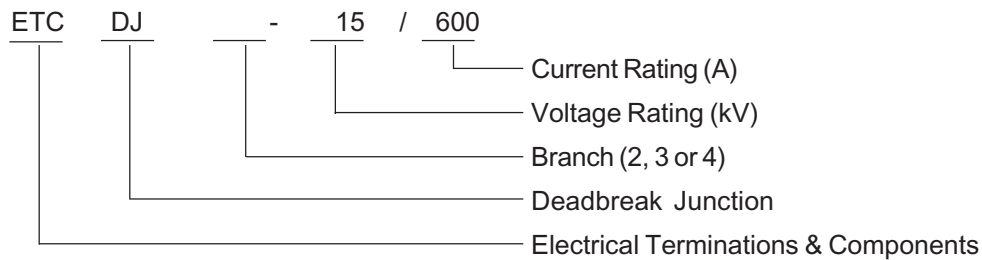


600-08

Ordering Information:

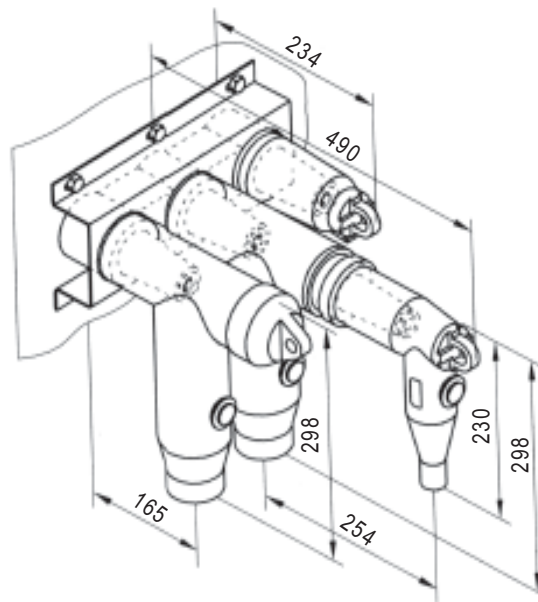
Catalogue Number	Voltage Rating(kV)	Current Rating(A)
ETCDJ2-15/600	15	600
ETCDJ3-15/600	15	600
ETCDJ4-15/600	15	600

Code Information:



Typical Arrangement:

Deadbreak Junction + Mounting Bracket + Deadbreak Tee Connector
 + Deadbreak T-II Connector+Elbow Connector+ Insulated Protective Cap (15kV Class)



Important:

All of the 600A spare interface must be covered with 600A Insulated Protective Cap . Red Shipping Cap is not for energized operation. Do not replace the Insulated Protective Cap with Red Shipping Cap .

More Information for cable accessories, installation instructions, technical questions. Please contact your local Electrical Terminations & Components representative or visit our website <http://www.etcaustralia.com.au>